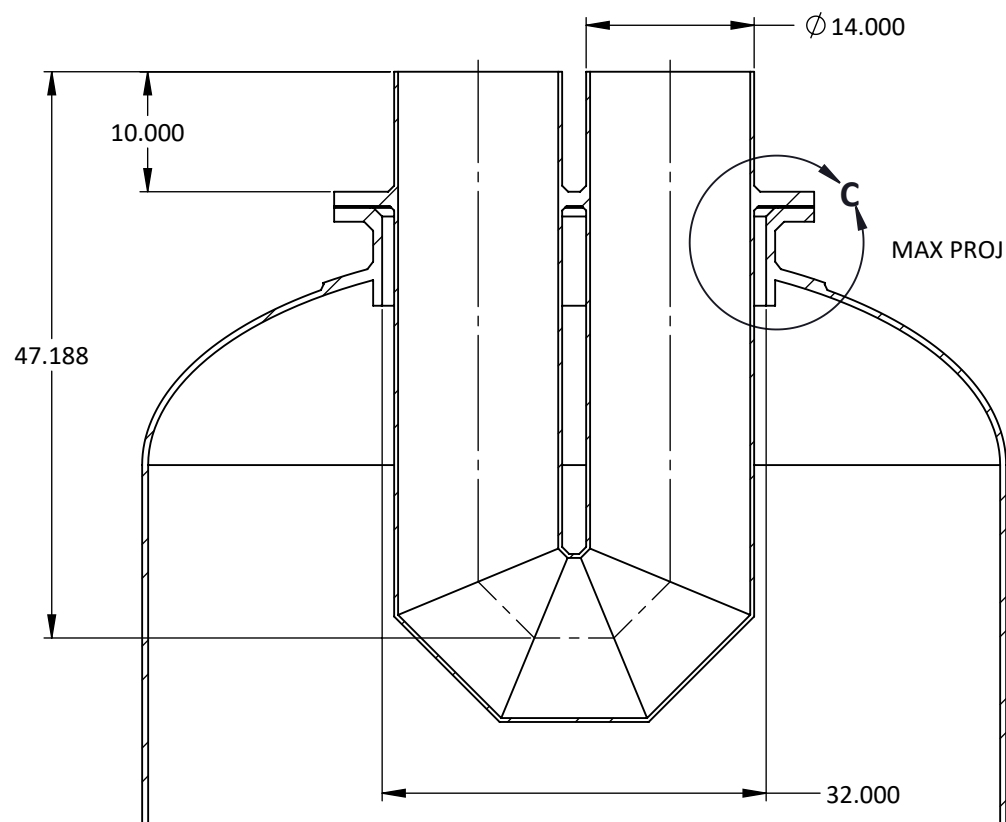
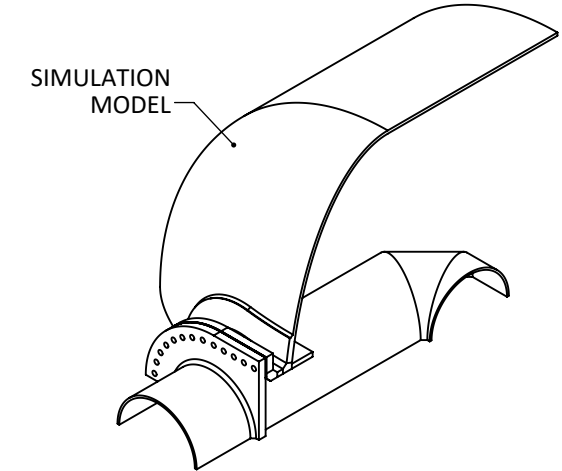


DETAIL C
SCALE 1 : 8



SECTION B-B

SECTION A-A

REVISION				
REV	DESCRIPTION	DATE	DRW	CHK
0	RELEASE	7/18/2017	BTV	LB



Pressure Vessel Engineering
120 RANDALL DRIVE, SUITE B
WATERLOO, ON, CANADA, N2V 1C6

FIRETUBE ARRANGEMENT - REVISED DESIGN

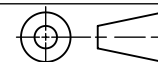
TOLERANCES

ANGLES: ±0.5
.X: ±0.02
.XX: ±0.01
.XXX: ±0.005

TITLE	FIRETUBE ARRANGEMENT - REVISED DESIGN		
SIZE	B	JOB ID	PVEng # 11110
DRAWING NO.	11110d-2	REVISION	0

THIRD ANGLE PROJECTION

SCALE	1:16	MATERIAL	CARBON STEEL	SHEET	1 OF 1
-------	------	----------	--------------	-------	--------



THIS DRAWING AND THE INFORMATION HEREIN IS CONFIDENTIAL, AND MUST NOT BE REPRODUCED OR USED IN ANY WAY WITHOUT THE WRITTEN PERMISSION OF PRESSURE VESSEL ENGINEERING LTD.