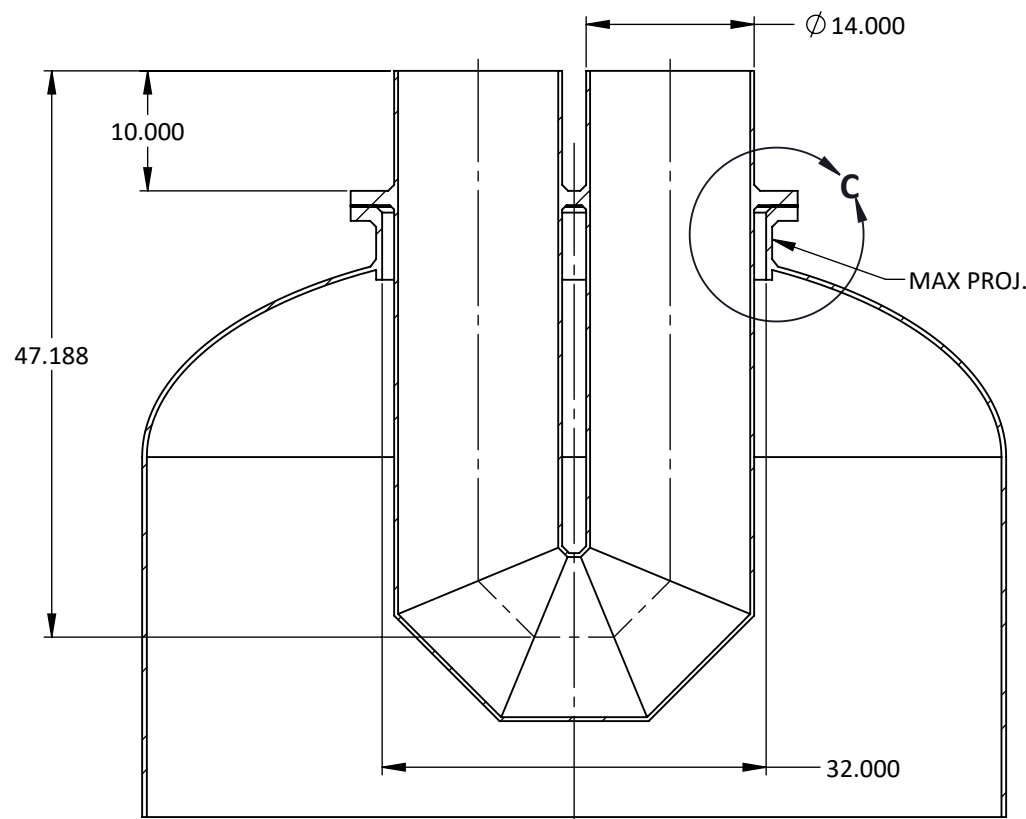
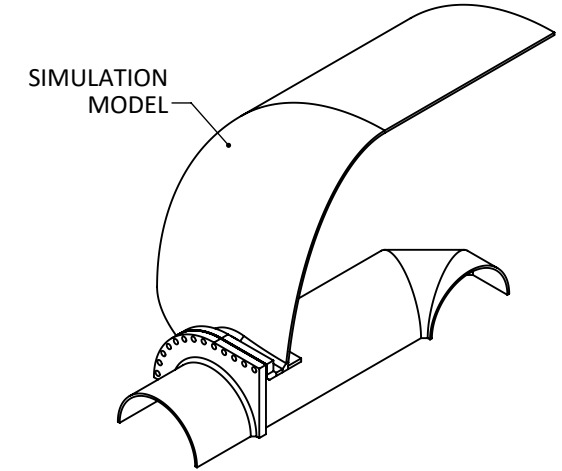


DETAIL C
SCALE 1 : 8



SECTION B-B

SECTION A-A

REVISION				
REV	DESCRIPTION	DATE	DRW	CHK
0	RELEASE	6/2/2017	BTV	LB



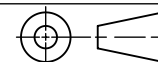
Pressure Vessel Engineering
120 RANDALL DRIVE, SUITE B
WATERLOO, ON, CANADA, N2V 1C6

FIRETUBE ARRANGEMENT - AS CODE CALCULATED

TOLERANCES
ANGLES: ±0.5
.X: ±0.02
.XX: ±0.01
.XXX: ±0.005

SIZE	B	JOB ID	PVEng # 11110	DRAWING NO.	11110d-1	REVISION	0
------	---	--------	---------------	-------------	----------	----------	---

THIRD ANGLE PROJECTION	SCALE	1:16	MATERIAL	CARBON STEEL	SHEET	1 OF 1
------------------------	-------	------	----------	--------------	-------	--------



THIS DRAWING AND THE INFORMATION HEREIN IS CONFIDENTIAL, AND MUST NOT BE REPRODUCED OR USED IN ANY WAY WITHOUT THE WRITTEN PERMISSION OF PRESSURE VESSEL ENGINEERING LTD.