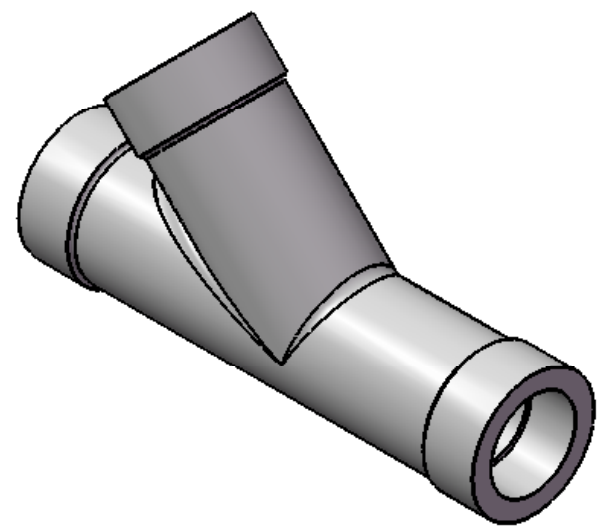
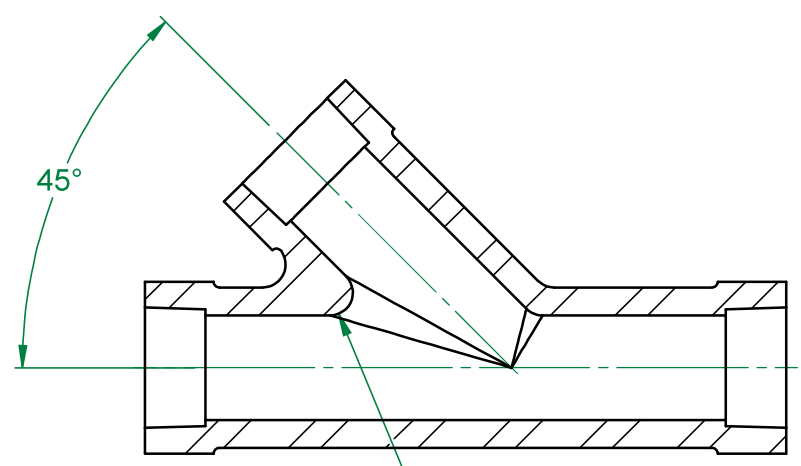
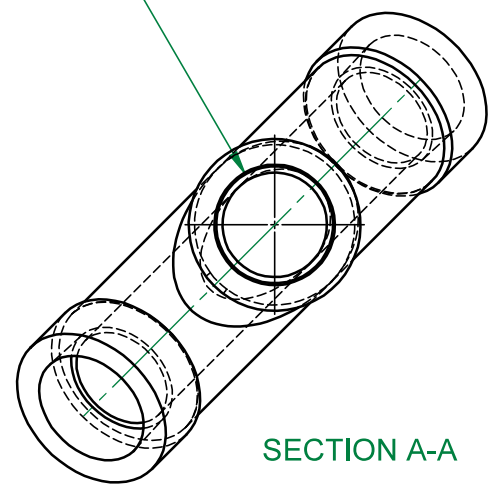


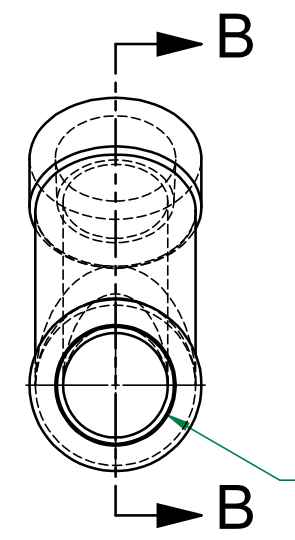
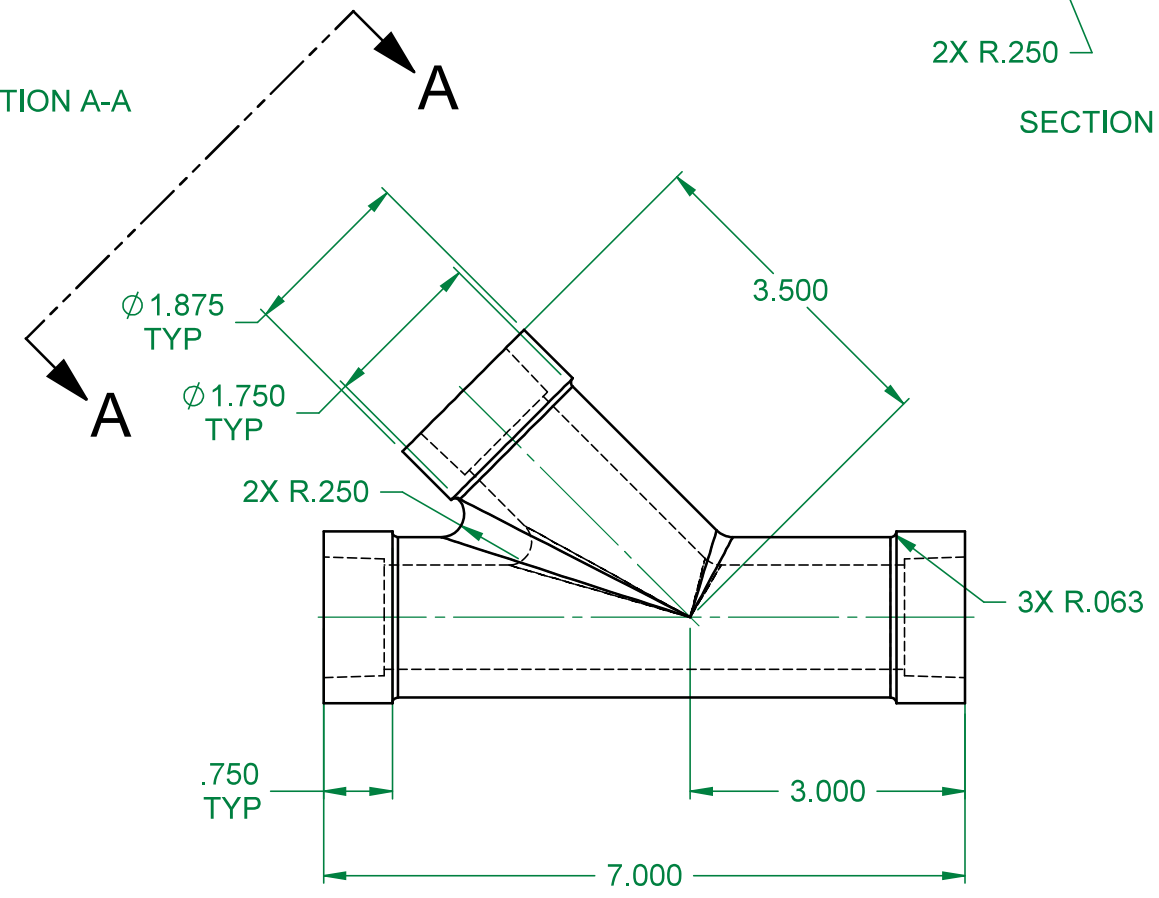
8 7 6 5 4 3 2 1

Ø 1.141  
THRU TO CROSS HOLE  
@ 45° TO CROSS HOLE  
1 NPT



SECTION A-A

SECTION B-B



Ø 1.141 THRU ALL  
1 NPT  
BOTH ENDS

1	Update Format	12/01/08	BV
0	Release	03/28/07	LB
REV	DESCRIPTION	DATE	APVD

REVISIONS

UNLESS OTHERWISE SPECIFIED  
DIMENSIONS ARE IN INCHES  
INTERPRET DIMENSIONS AND TOLERANCES  
PER ASME Y14.5M-1994

TOLERANCES APPLY AS SHOWN BELOW

0 PL DEC	± 0.2
1 PL DEC	± 0.1
2 PL DEC	± 0.01
3 PL DEC	± 0.005
ANGLES	± .1°
SURFACE ROUGHNESS	32 μ in

THIRD ANGLE PROJECTION

MATERIAL:  
SA-351 @ 250°F

FINISH:

SolidWorks MAINTAINED DATA  
CHANGES SHALL BE INCORPORATED  
ELECTRONICALLY BY THE DESIGN ACTIVITY

**PROPRIETARY**

NO PART OF THIS DOCUMENT MAY BE REPRODUCED,  
STORED IN A RETRIEVAL SYSTEM, OR TRANSMITTED IN  
ANY FORM, WITHOUT THE WRITTEN PERMISSION OF  
XYZ Vessel Corp.

CUSTOMER  
XYZ Vessel Corp.

PROJECT  
PVE-3143

DRAWN BY  
BTW

CHECKED BY

APPROVED

DATE  
11/28/08

DATE

DATE

**PVEng** Pressure Vessel Engineering  
120 Randall Drive, Suite B Waterloo, Ontario N2V 1C6  
P: 519-880-6808 F: 519-880-6810  
<http://www.pveng.com> [info@pveng.com](mailto:info@pveng.com)

TITLE  
**1" NPT Y Fitting**  
**Custom Threaded Y Fitting**

CUSTOMER  
XYZ Vessel Corp.

PROJECT  
PVE-3143

DRAWN BY  
BTW

CHECKED BY

APPROVED

DATE  
11/28/08

DATE

DATE

SIZE  
**B**

DRAWING NO.  
**PVE-1343b**

REVISION  
-

SCALE  
1:2

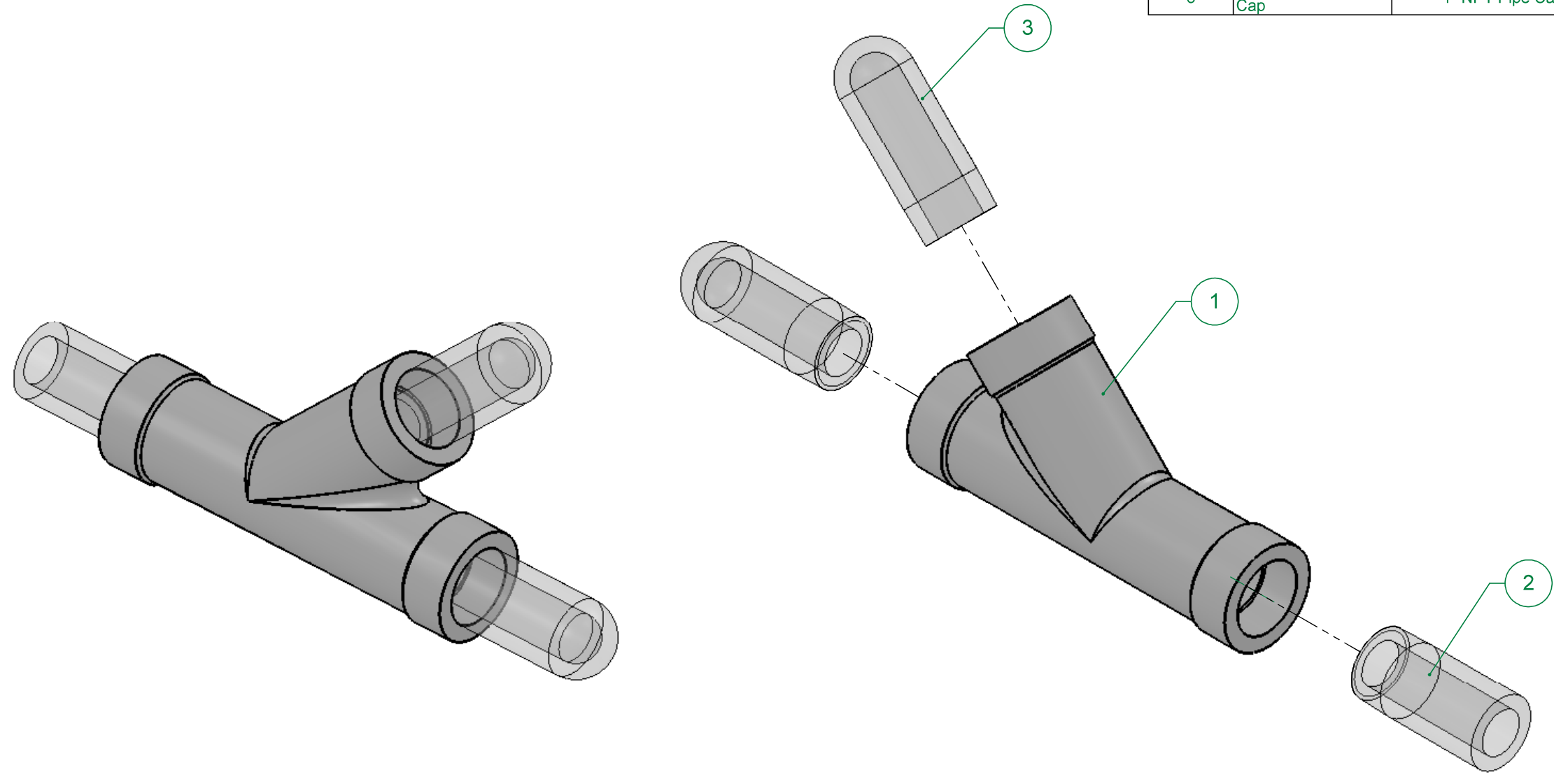
WEIGHT  
3.678 lbs

SHEET 1 OF 2

8 7 6 5 4 3 2 1

8 7 6 5 4 3 2 1

BOM Table				
Item NO.	Part Number	Description	Qty	Material
1	Custom Threaded Y Fitting	1" NPT Y Fitting	1	SA-351 @ 250°F
2	Threaded Tube	1" NPT Thread	1	SA-106B @ 250°F
3	Threaded Pipe and Cap	1" NPT Pipe Cap	2	SA-106B @ 250°F



D  
C  
B  
A

D  
C  
B  
A

REV	DESCRIPTION	DATE	APVD
1	Update Format	12/01/07	BV
0	Release	03/28/07	LB

**UNLESS OTHERWISE SPECIFIED**  
 DIMENSIONS ARE IN INCHES  
 INTERPRET DIMENSIONS AND TOLERANCES PER ASME Y14.5M-1994  
 TOLERANCES APPLY AS SHOWN BELOW  
 0 PL DEC ±0.2  
 1 PL DEC ±0.1  
 2 PL DEC ±0.01  
 3 PL DEC ±0.005  
 ANGLES ±1°  
 SURFACE ROUGHNESS 32 μ in

**THIRD ANGLE PROJECTION**

MATERIAL: Material <not specified>  
 FINISH:

SolidWorks MAINTAINED DATA CHANGES SHALL BE INCORPORATED ELECTRONICALLY BY THE DESIGN ACTIVITY

**PROPRIETARY**  
 NO PART OF THIS DOCUMENT MAY BE REPRODUCED, STORED IN A RETRIEVAL SYSTEM, OR TRANSMITTED IN ANY FORM, WITHOUT THE WRITTEN PERMISSION OF XYZ Vessel Corp.

CUSTOMER: XYZ Vessel Corp.  
 PROJECT: PVE-3143  
 DRAWN BY: BV DATE: 11/28/08  
 CHECKED BY: DATE:  
 APPROVED: DATE:

**PVEng** Pressure Vessel Engineering  
 120 Randall Drive, Suite B Waterloo, Ontario N2V 1C6  
 P: 519-880-6808 F: 519-880-6810  
<http://www.pveng.com> info@pveng.com

**Y Fitting With Pipes**  
**Custom Threaded Y Fitting Assembly**

CUSTOMER: XYZ Vessel Corp.  
 PROJECT: PVE-3143  
 DRAWING NO: **B PVE-1343b**  
 SCALE: 1:2 WEIGHT: 5.809 lbs SHEET 2 OF 2

8 7 6 5 4 3 2 1